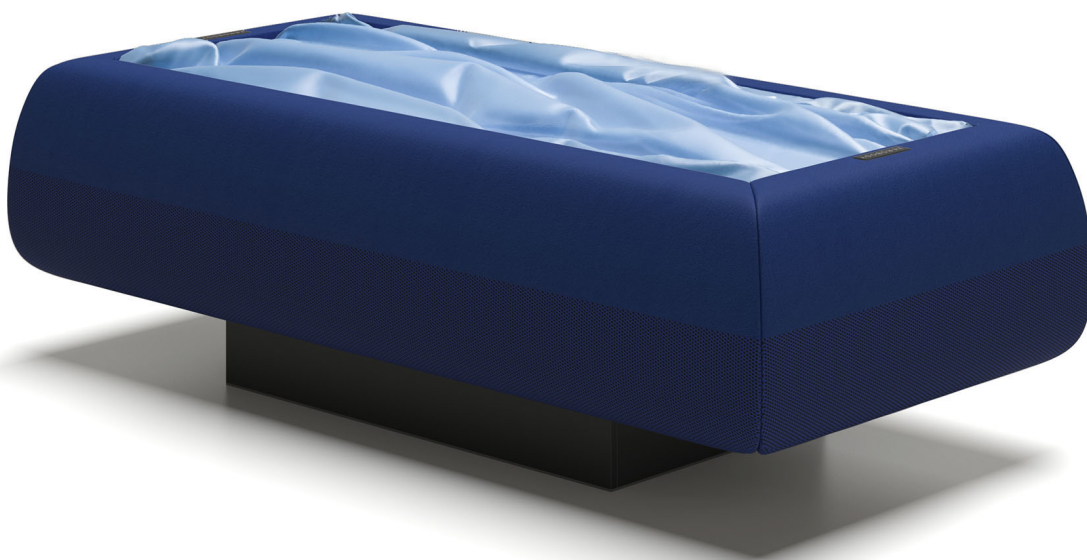




DATA SHEET

# ZEROBODY CRYO



PRODUCT TECHNICAL SPECIFICATIONS.....	02
COVERING.....	03 - 04
STANDARD FEATURES.....	05
SOFTWARE FUNCTIONS.....	05
LAYOUT.....	06

## PRODUCT TECHNICAL SPECIFICATIONS

	Standard	XL
Dimensions [cm]/[in]	232 w x 112 d x 74 h	257 w x 112 d x 74 h
Voltage	230 Vac IP+N+PE	
Max consumption [W] [A]	2000 / 8,69	
Frequency [Hz]	50/60	
Structure	Stainless steel tank clad in soft padding	
Lighting	Stainless steel tank clad in soft padding	
Maximum load [Kg]	130	
Net weight [Kg]/[lb]	200	230 (XL version)
Operating weight [Kg]/[lb]	600	690 (XL version)
Water capacity [lt]/[gal]	400	460 (XL version)
Water change	Annual and/or depending on source chemical-physical properties	
Cooling system	Chiller (max distance from Zerobody = 2 MT)	
Water cooling time	2 °C/h	
Requirements for installation	Electrical power supply with earthed plug	

**COVERING**

	66004 + 66174 Blue	
	68035 + 68116 Green	
<b>Adrenalina</b>	68024 + 68093 Lime	
	66057 + 66113 Petrol	
	64089 + 64084 Red	
	2505 - Beige	
	1495 - Dark Green	
<b>Fabric</b>	1620 - Dark Grey	
	1556 - Light Brown	
	1999 - Light Grey	
	2402 - Black	
	2404 - Terracotta Brown	
<b>Real Leather</b>	2433 - Warm grey	
	2434 - Caramel	
	2436 - Olive Green	
	D18 - Creamy White	
<b>Sky Eco-Leather</b>	B99 - Black	

Sky Eco-Leather

CD5 - Green Apple



BE4 - Smoke Grey



F84 - Chocolate Brown



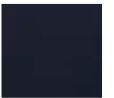
FD5 - Dove Grey



GB5 - Azure



G78 - Dark Blue



HA4 - Navy Blue



EZ5 - Forest Green



Vintage Eco-Leather

09 - Dark Brown



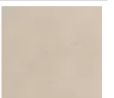
03 - Nut Brown



05 - Olive



01 - Sandy



04 - Umber





## STANDARD FEATURES

---

Membrane	Waterproof, anti-mould and antibacterial transparent polyurethane cover – <b>with or without BLUE led lights option</b>
Blue LED	Please note: this option includes the transparent version of the waterproof, anti-mould and antibacterial PU membrane
Touch-Screen Display	Mounted on rotatable base on shelf, non-removable. It accesses the software to manage all Zerobody functions
Shelf	Installed on side panel, non-removable, base to use touch-screen display

---

## SOFTWARE FUNCTIONS

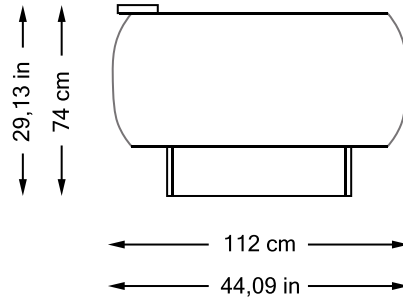
---

Duration of session	Set the duration of the chosen program between 3, 5 or 10 minutes
Start/Stop	Press the specific button to either start the session and lower the platform, or to stop it before the time expires and raise the platform

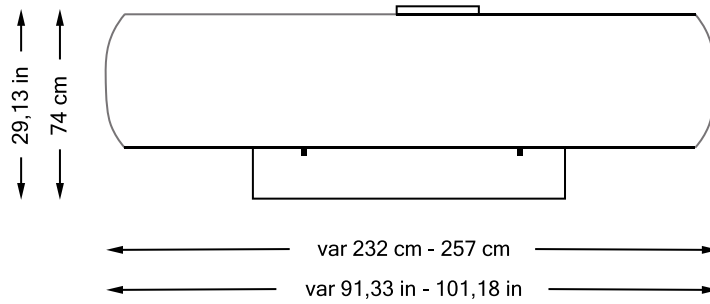
---

LAYOUT

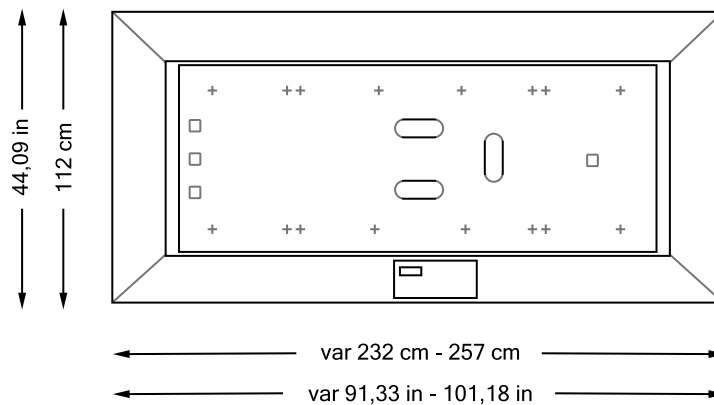
Front view



Side view



Plan



The Starpool products listed here are compliant with the required European standards. Starpool reserves the right to change/adjust technical and dimensional information without prior notice. If the purchaser intends to install the Starpool products in countries outside the EU where different standards from the European CE apply, the purchaser is obliged to inform Starpool of the additional requirements.

All technical data reported here are an estimate of the consumption, calculated on the default settings defined by Starpool.